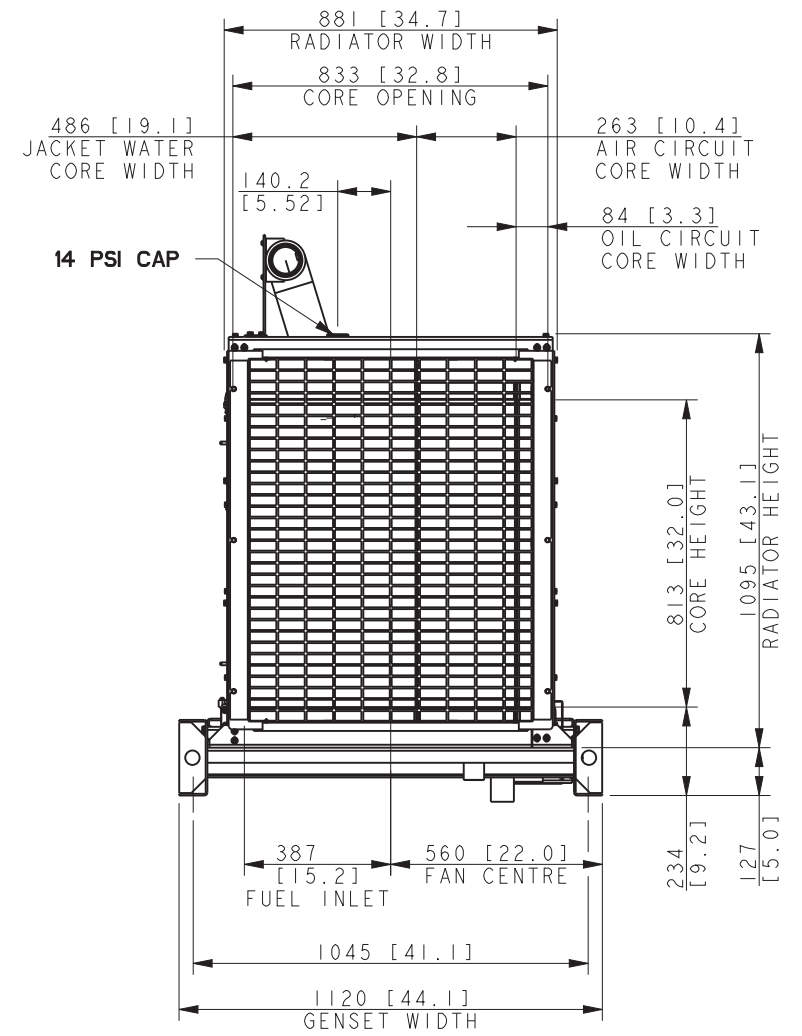
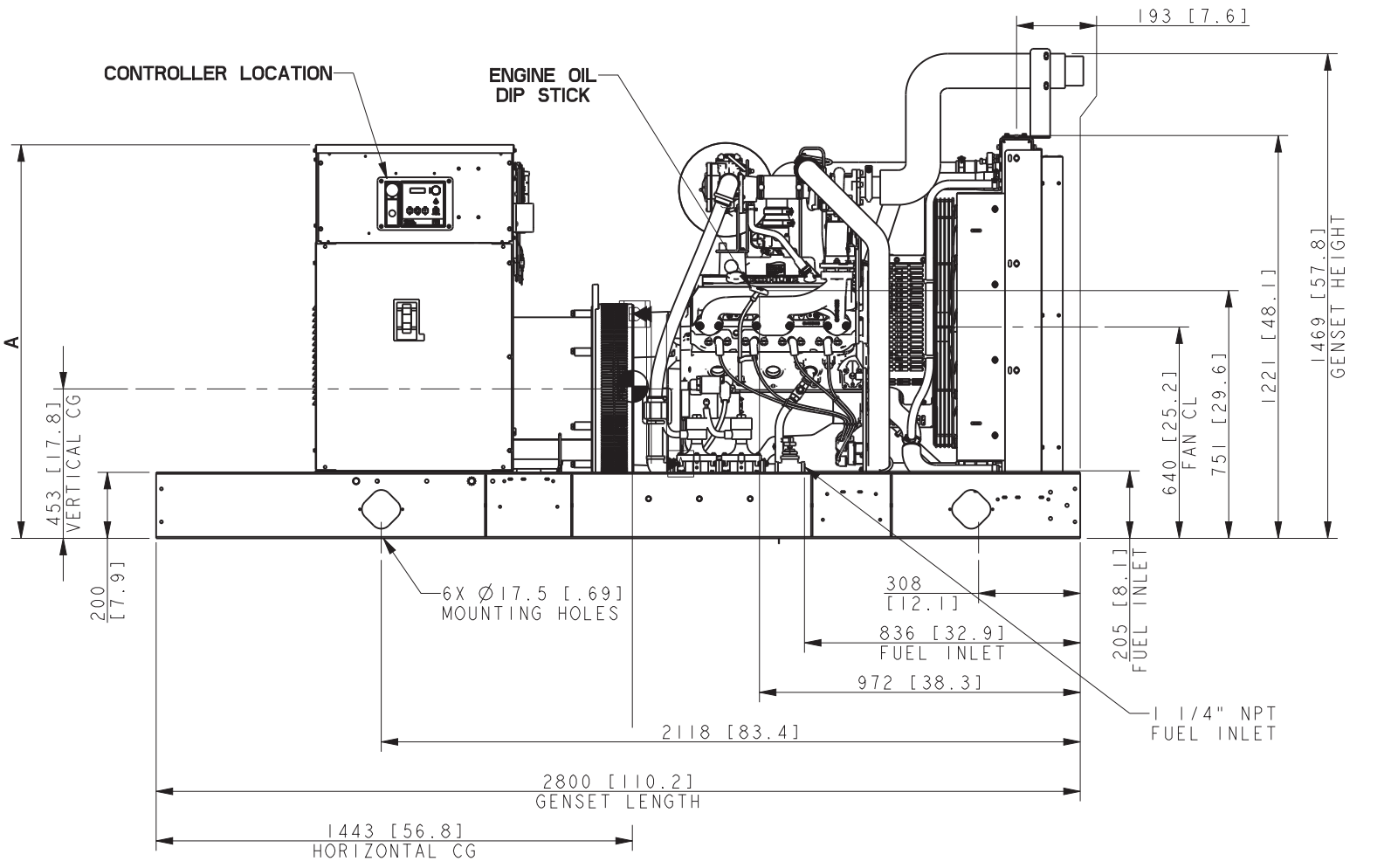


MODEL	ALTERNATOR	WEIGHT (WET)		'A'
		KG	LBS	
KG80	4P10X, 4P10X 600V	1002	2210	1120 [44.1]
	4R9X, 4R9X 600V	1025	2260	1192 [46.9]
	4T9X	1025	2260	1192 [46.9]



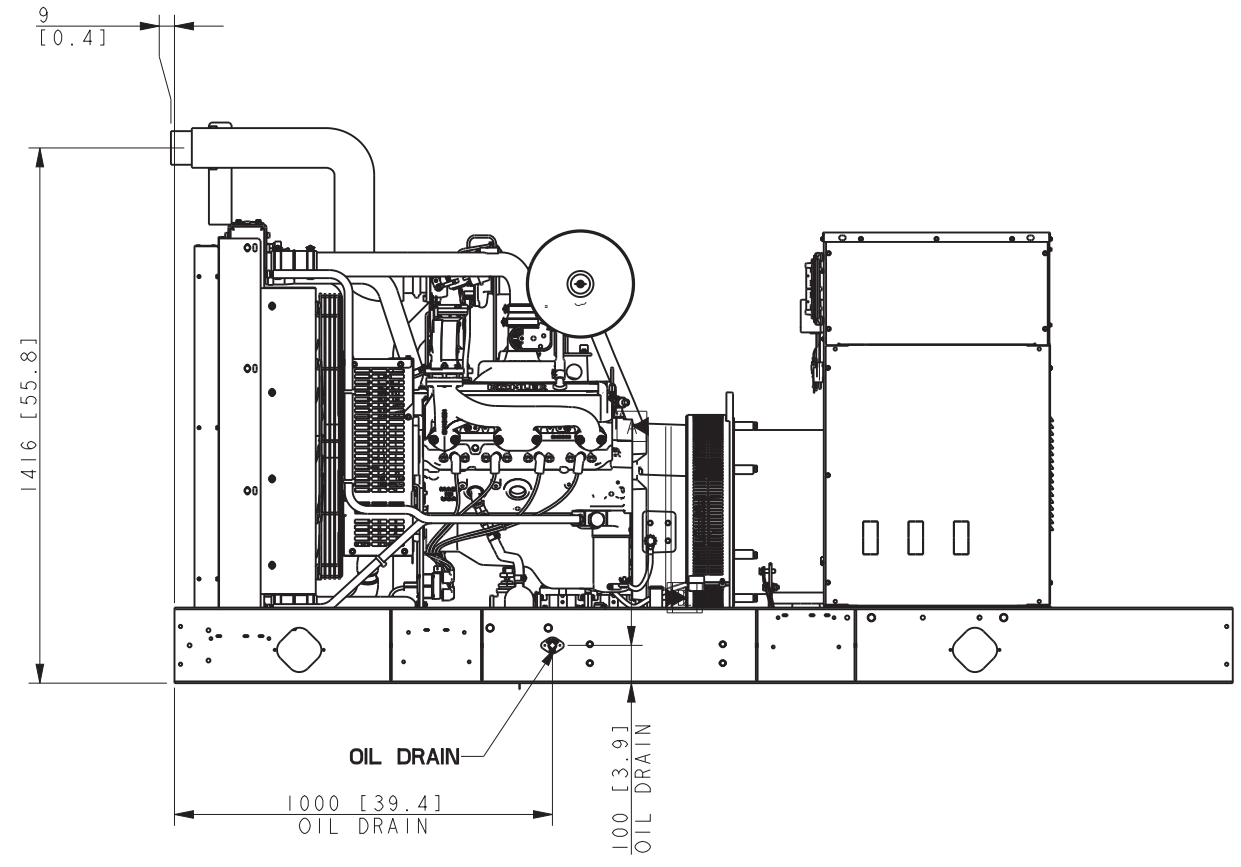
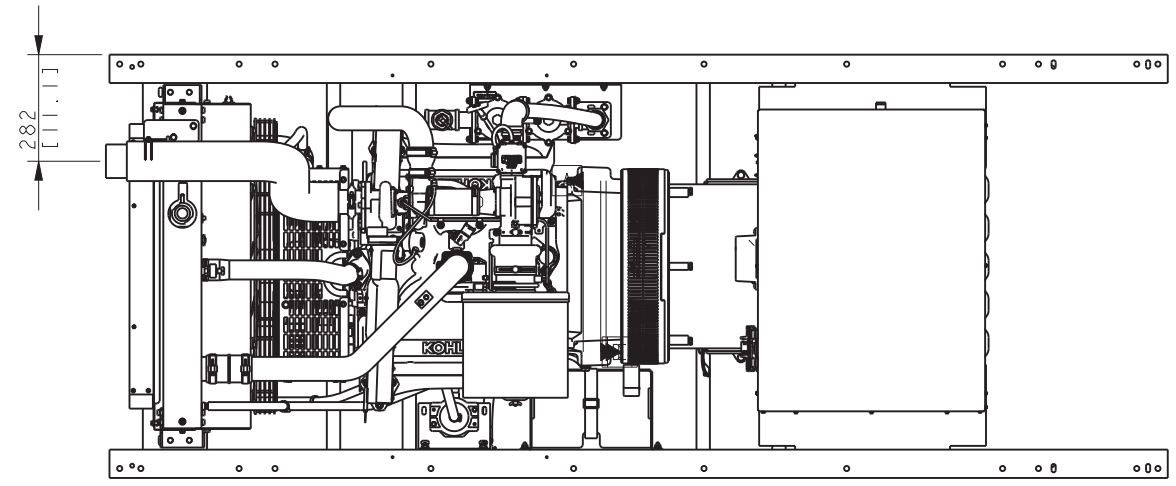
- NOTES:
- DIMENSIONS IN [] ARE ENGLISH STANDARD EQUIVALENTS
 - IF ENCLOSURE IS USED REFER TO ENCLOSURE ADV
 - IF IBC CERTIFICATION IS REQUIRED SEE SEISMIC ADV FOR INSTALLATION INSTRUCTIONS.

NOTE: OIL DRAIN IS AT LEFT SIDE OF GENSET

REV	DATE	ON COMPOSITE DWGS, SEE PART NO. FOR REVISION LEVEL	BY	DO NOT SCALE, REFERENCE THE MODEL FOR ALL UNSPECIFIED DIMENSIONS																
-	10-23-18	NEW DRAWING [CT191152]	ADP	UNLESS OTHERWISE SPECIFIED: ALL DIMENSIONS IN MILLIMETERS GENERAL TOLERANCES: X.XX ± 0.25 X.X ± 0.5 X ± 1.5 ANGLES ± 0°30'																
A	1-17-19	(A-7) MOUNTING POINT DIMENSION REMOVED [CT193090]	AWK																	
				<table border="1"> <tr> <th>APPROVALS</th> <th>DATE</th> </tr> <tr> <td>ADP</td> <td>10-23-18</td> </tr> <tr> <td>DJV</td> <td>10-23-18</td> </tr> <tr> <td>PBT</td> <td>10-23-18</td> </tr> </table>	APPROVALS	DATE	ADP	10-23-18	DJV	10-23-18	PBT	10-23-18								
APPROVALS	DATE																			
ADP	10-23-18																			
DJV	10-23-18																			
PBT	10-23-18																			
				<table border="1"> <tr> <td>SCALE</td> <td>0.10</td> <td>CAD NO.</td> <td></td> <td>SHEET</td> <td>1</td> <td>of</td> <td>3</td> </tr> <tr> <td colspan="4"></td> <td colspan="2">ADV-9082</td> <td colspan="2">D</td> </tr> </table>	SCALE	0.10	CAD NO.		SHEET	1	of	3					ADV-9082		D	
SCALE	0.10	CAD NO.		SHEET	1	of	3													
				ADV-9082		D														

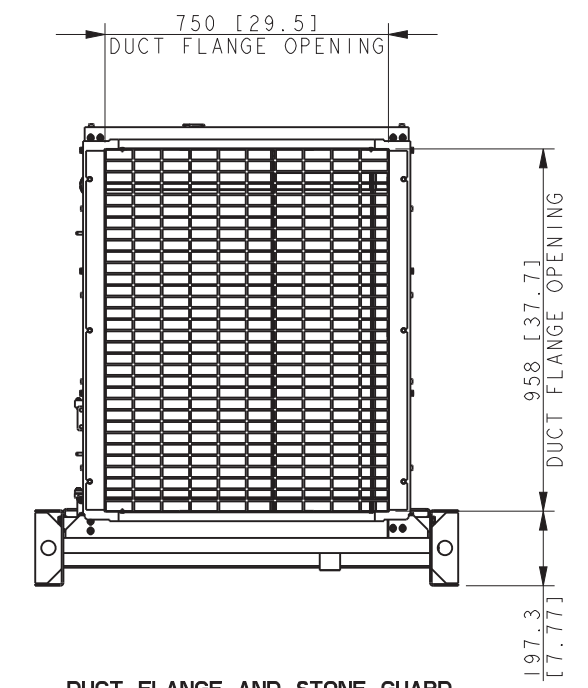
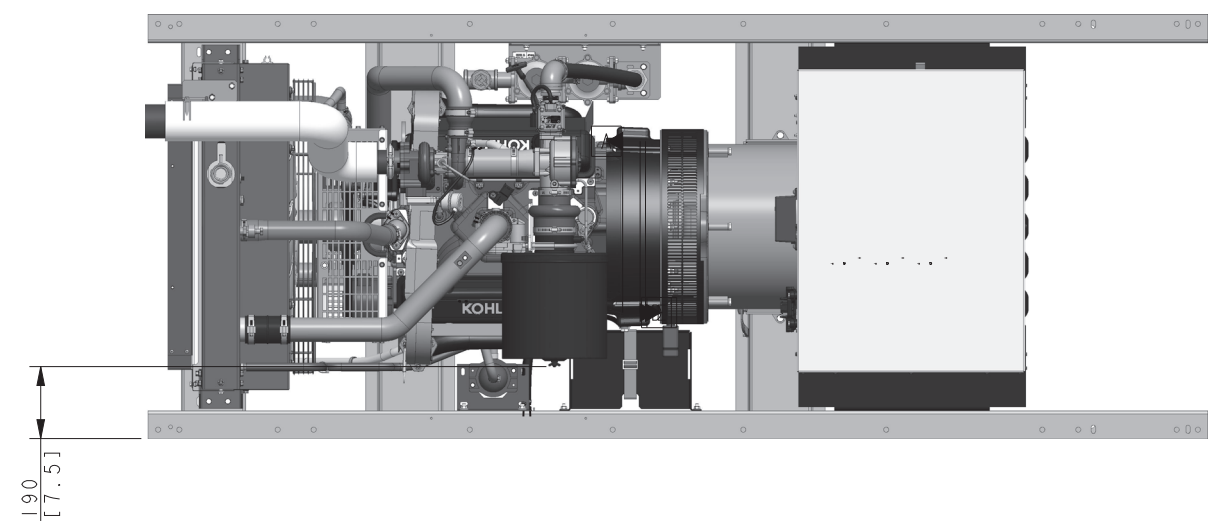
KOHLER
 KOHLER, WISCONSIN 53044
 THIS DRAWING IN DESIGN AND DETAIL IS KOHLER CO. PROPERTY AND MUST NOT BE USED EXCEPT IN CONNECTION WITH KOHLER CO. WORK. ALL RIGHTS OF DESIGN OR INVENTION ARE RESERVED.

TITLE
DIMENSION PRINT, KG80 6.2L TURBO

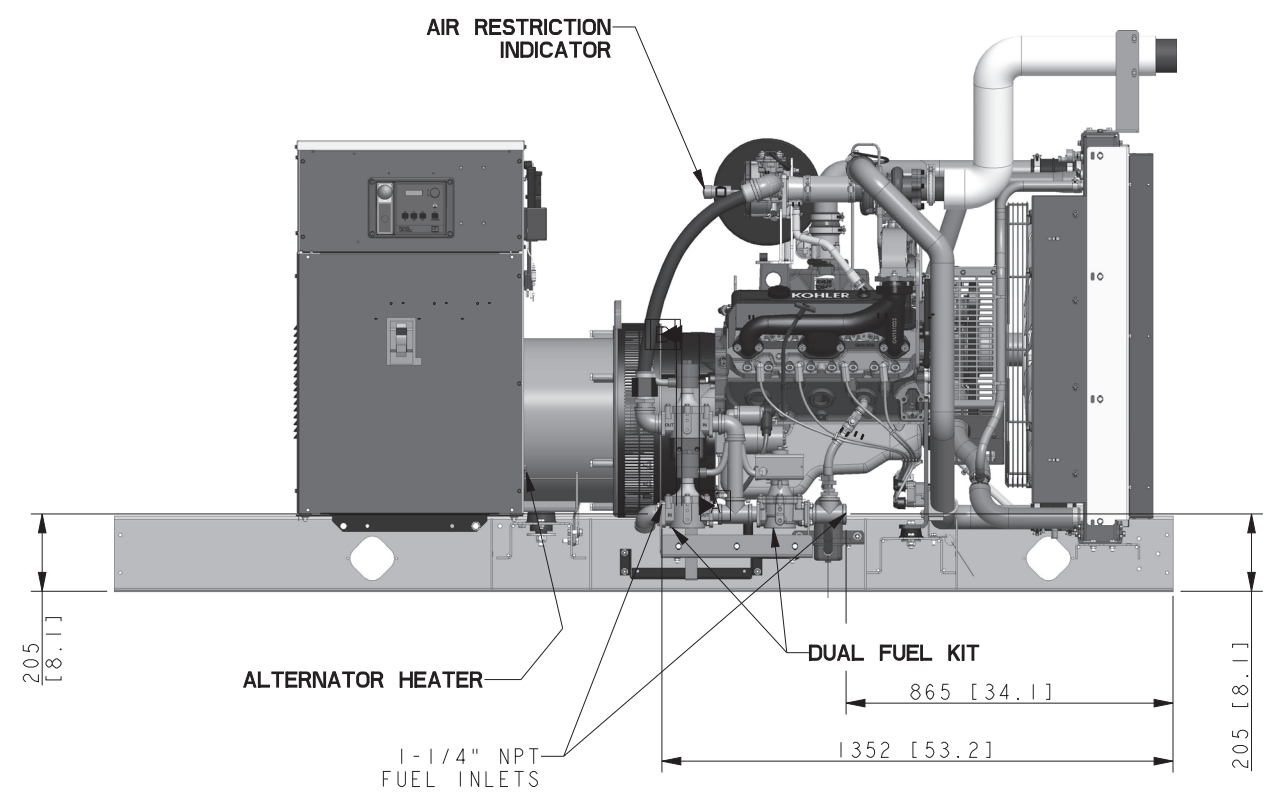
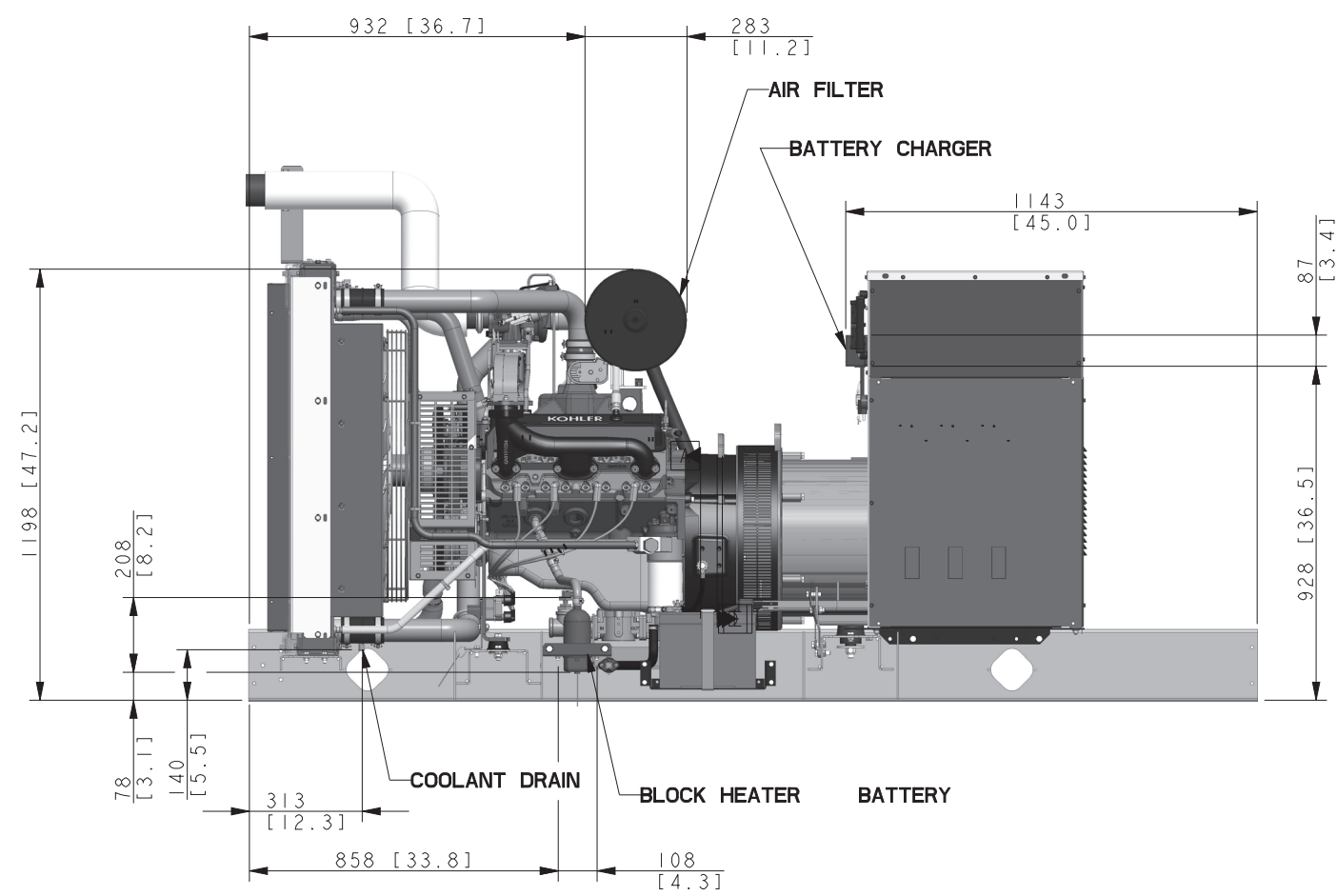


DIMENSIONS IN [] ARE ENGLISH STANDARD EQUIVALENTS

REV	DATE	ON COMPOSITE DWGS. SEE PART NO. FOR REVISION LEVEL	BY	DO NOT SCALE. REFERENCE THE MODEL FOR ALL UNSPECIFIED DIMENSIONS
-	10-23-18	NEW DRAWING [CT191152]	ADP	UNLESS OTHERWISE SPECIFIED: ALL DIMENSIONS IN MILLIMETERS GENERAL TOLERANCES: X.XX ± 0.2 X.X ± 0.5 X ± 1.5 ANGLES ± 0°30' MAX. SURFACE FINISH THIRD ANGLE PROJECTION
A	2-7-19	SEE SHEET 1 [CT193090]	AWK	
				KOHLER. KOHLER, WISCONSIN 53044 THIS DRAWING IN DESIGN AND DETAIL IS KOHLER CO. PROPERTY AND MUST NOT BE USED EXCEPT IN CONNECTION WITH KOHLER CO. WORK. ALL RIGHTS OF DESIGN OR INVENTION ARE RESERVED. TITLE DIMENSION PRINT, KG80 6.2L TURBO SCALE 0.10 CAD NO. SHEET 2 of 3 DWG NO. ADV-9082



DUCT FLANGE AND STONE GUARD



BLOCK HEATER, AIR FILTER & BATTERY CHARGER
(LEFT SIDE OF GENSET)

NOTE:
LEFT SIDE SKID MEMBER HIDDEN TO SHOW BLOCK HEATER

REV	DATE	ON COMPOSITE DWGS, SEE PART NO. FOR REVISION LEVEL	BY	DO NOT SCALE. REFERENCE THE MODEL FOR ALL UNSPECIFIED DIMENSIONS
-	10-23-18	NEW DRAWING [CT191152]	ADP	UNLESS OTHERWISE SPECIFIED: ALL DIMENSIONS IN MILLIMETERS GENERAL TOLERANCES: X.XX ± 0.2 SURFACE FINISH X.X ± 0.5 MAX ANGLES ± 0°30'
A	2-7-19	SEE SHEET 1 [CT193090]	AWK	
				KOHLER KOHLER, WISCONSIN 53044 THIS DRAWING IN DESIGN AND DETAIL IS KOHLER CO. PROPERTY AND MUST NOT BE USED EXCEPT IN CONNECTION WITH KOHLER CO. WORK. ALL RIGHTS OF DESIGN OR INVENTION ARE RESERVED. TITLE DIMENSION PRINT, KG80 6.2L TURBO
APPROVALS		DATE		
DRAWN		ADP 10-23-18		
CHECKED		DJV 10-23-18		
APPROVED		PBT 10-23-18		
SCALE 0.10 CAD NO.				SHEET 3 of 3
DWG NO. ADV-9082				D