

NOTE: DIMENSIONS IN [ ] ARE ENGLISH EQUIVALENTS.

REV	DATE	ON COMPOSITE DWGS. SEE PART NO. FOR REVISION LEVEL	BY	UNLESS OTHERWISE SPECIFIED - 1) DIMENSIONS ARE IN MILLIMETERS 2) TOLERANCES ARE:	APPROVALS	DATE	TITLE
-	4-16-13	NEW DRAWING [CT106074]	GFR	X.XX X.X X ANGLES	RESV	4-16-13	<b>KOHLER CO. METRIC PRO-E</b> POWER SYSTEMS, KOHLER, WI 53044 U.S.A. THIS DRAWING IN DESIGN AND DETAIL IS KOHLER CO. PROPERTY AND MUST NOT BE USED EXCEPT IN CONNECTION WITH KOHLER CO. WORK. ALL RIGHTS OF DESIGN OR INVENTION ARE RESERVED.
				THIRD ANGLE PROJECTION	APPROVED	4-16-13	<b>DIMENSION PRINT</b>
				SURFACE FINISH MAX.	CHECKED	4-16-13	SCALE 0.15 CAD NO. SHEET 1 of 3
					APPROVED	4-16-13	DWG NO. <b>ADV-8774</b> D

8

7

6

5

4

3

2

1

D

C

B

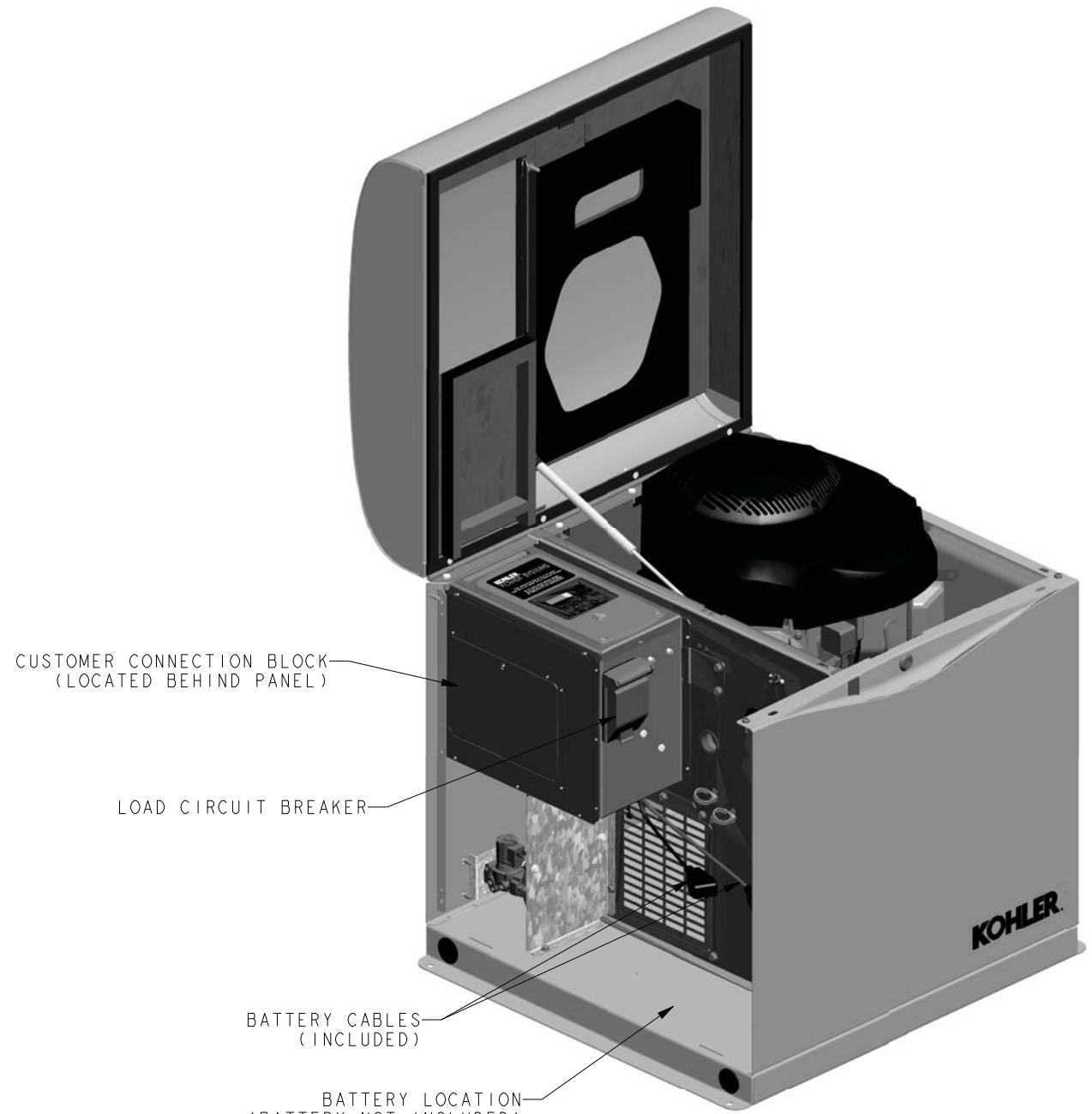
A

D

C

B

A



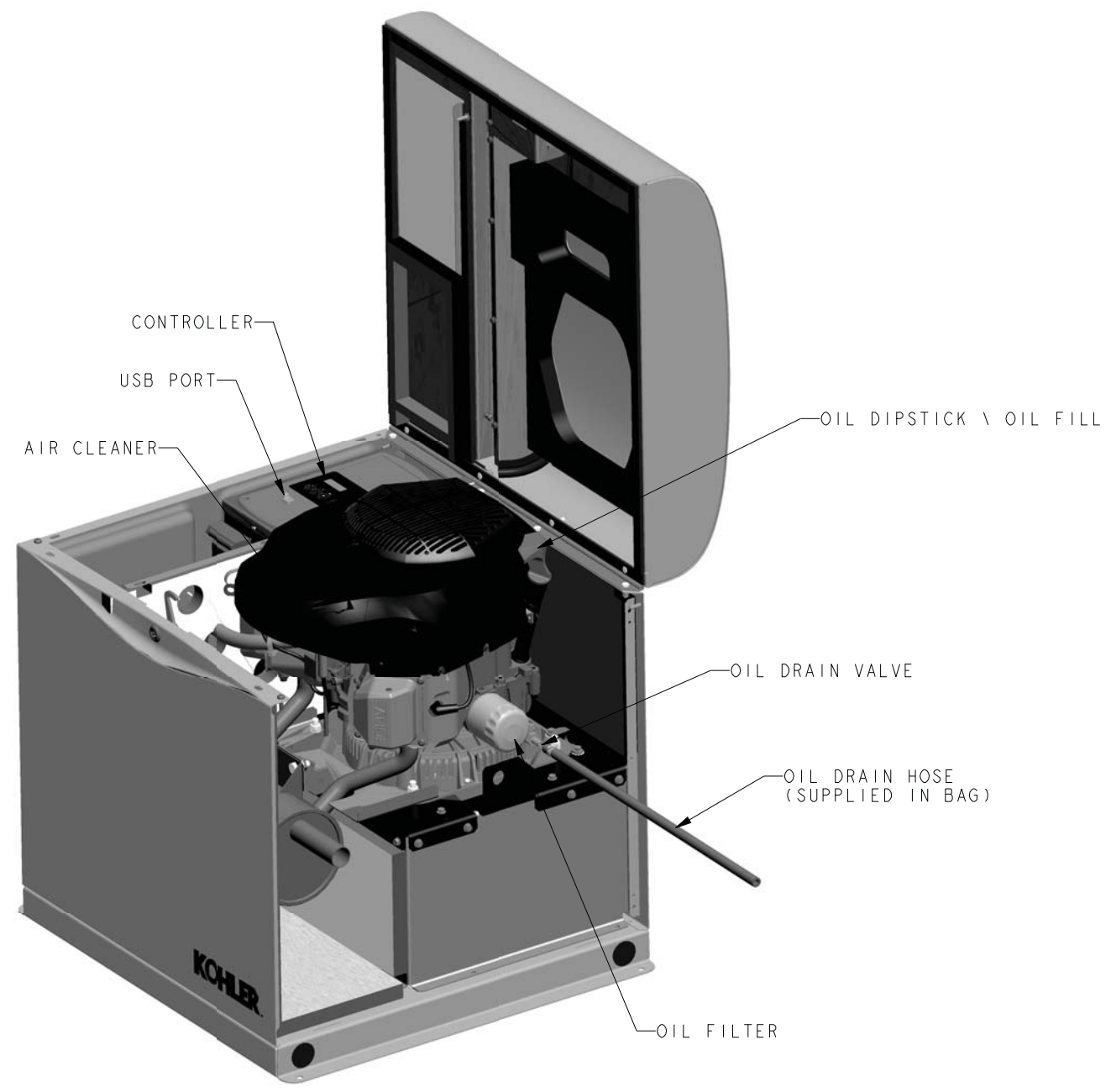
CUSTOMER CONNECTION BLOCK  
(LOCATED BEHIND PANEL)

LOAD CIRCUIT BREAKER

BATTERY CABLES  
(INCLUDED)

BATTERY LOCATION  
(BATTERY NOT INCLUDED)

VIEW FROM  
INLET AIR OUTLET



CONTROLLER

USB PORT

AIR CLEANER

OIL DIPSTICK \ OIL FILL

OIL DRAIN VALVE

OIL DRAIN HOSE  
(SUPPLIED IN BAG)

OIL FILTER

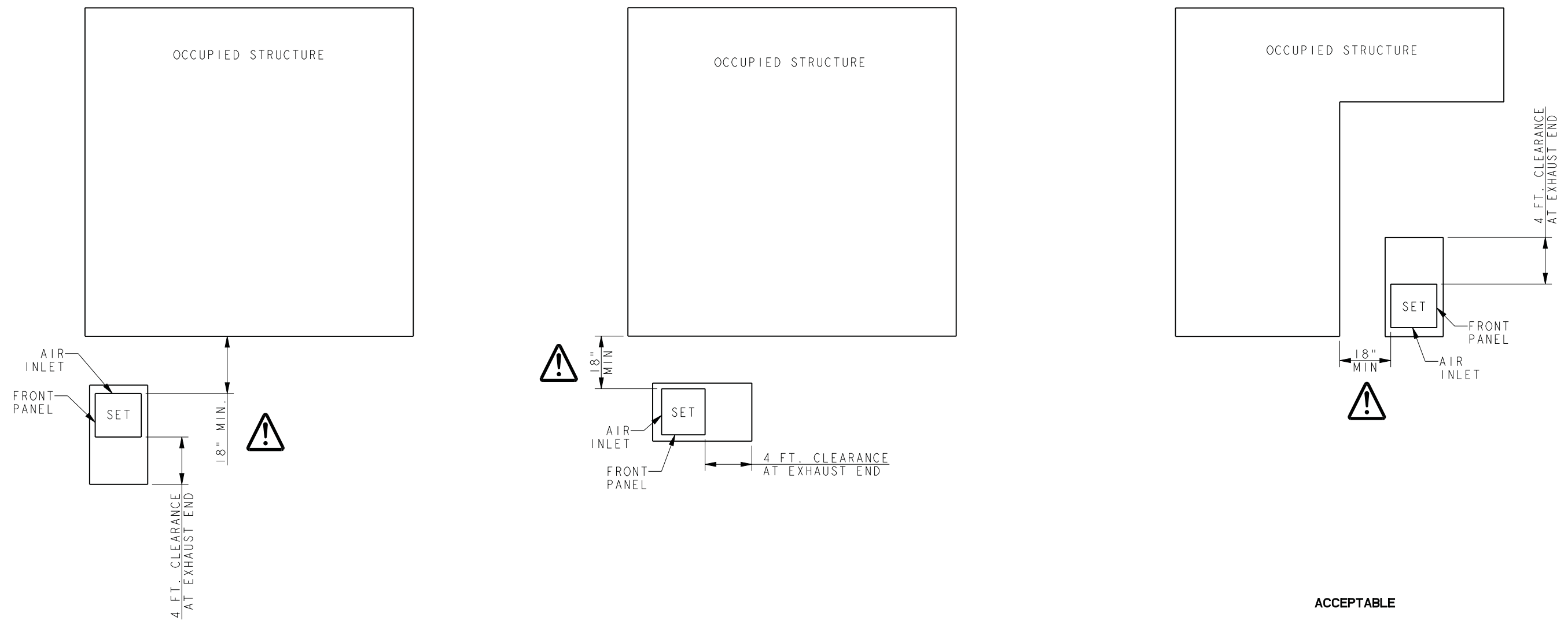
VIEW FROM  
EXHAUST AIR OUTLET


RESV

REV	DATE	ON COMPOSITE DWGS. SEE PART NO. FOR REVISION LEVEL	BY	UNLESS OTHERWISE SPECIFIED - 1) DIMENSIONS ARE IN MILLIMETERS 2) TOLERANCES ARE:	SURFACE FINISH		<b>KOHLER CO.</b>   METRIC   PRO-E POWER SYSTEMS, KOHLER, WI 53044 U.S.A. THIS DRAWING IN DESIGN AND DETAIL IS KOHLER CO. PROPERTY AND MUST NOT BE USED EXCEPT IN CONNECTION WITH KOHLER CO. WORK. ALL RIGHTS OF DESIGN OR INVENTION ARE RESERVED.
-	4-16-13	NEW DRAWING [CT106074]	GFR	X.XX X.X X	<input type="checkbox"/> 0.4 <input checked="" type="checkbox"/> 1.0 <input type="checkbox"/> MAX. THIRDS ANGLE PROJECTION 	<b>DIMENSION PRINT</b>	
			APPROVALS	DATE			TITLE
			DRAWN	4-16-13			SCALE 0.20   CAD NO.
			CHECKED	4-16-13			SHEET 2 of 3
			APPROVED	4-16-13			DWG NO. ADV-8774   D

8 7 6 5 4 3 2 1

D  
C  
B  
A



NOTE:  
 THE REQUIRED DISTANCE FROM A STRUCTURE IS DEPENDENT ON STATE AND LOCAL CODES. NFPA 37, STANDARDS FOR THE INSTALLATION AND USE OF STATIONARY COMBUSTION ENGINES AND GAS TURBINES.

**ACCEPTABLE**

- 1) EXHAUST IS AIMED AWAY OR PARALLEL TO STRUCTURE.
- 2) EXHAUST IS NOT DIRECTED AT PLAY AREAS, PATIOS OR OTHER AREAS WHERE PEOPLE CONGREGATE.
- 3) THE NEAREST WINDOW, VENT, DOOR OR SIMILAR STRUCTURE OPENING IS AT LEAST 5 FEET FROM THE EXHAUST END OF THE SET.
- 4) SET HAS PROPER OFFSET FROM STRUCTURE.
- 5) WINDOWS & DOORS ON ADJACENT WALLS ARE CLOSED.
- 6) FURNACE AND OTHER SIMILAR INTAKES ARE AT LEAST 10 FEET FROM EXHAUST END OF SET.
- 7) WEED BARRIER AND 3 INCH THICK GRAVEL BASE LOCATED TO PREVENT GRASS & WEEDS FROM GROWING TOO CLOSE TO THE SET.
- 8) NO PLANTS, SHRUBS OR OTHER COMBUSTIBLES ALLOWED IN GRAVEL AREA. (MINIMUM 4 FT. FROM EXHAUST END).
- 9) REFER TO OWNERS MANUAL FOR OTHER INSTALLATION CONSTRAINTS.
- 10) NO PLANTS, SHRUBS, OR OTHER COMBUSTIBLES ALLOWED WITHIN 18" OF AIR INTAKE.

RESV

REV	DATE	ON COMPOSITE DWGS. SEE PART NO. FOR REVISION LEVEL	BY	UNLESS OTHERWISE SPECIFIED - 1) DIMENSIONS ARE IN MILLIMETERS 2) TOLERANCES ARE:	POWER SYSTEMS, KOHLER, WI 53044 U.S.A. THIS DRAWING IN DESIGN AND DETAIL IS KOHLER CO. PROPERTY AND MUST NOT BE USED EXCEPT IN CONNECTION WITH KOHLER CO. WORK. ALL RIGHTS OF DESIGN OR INVENTION ARE RESERVED.
-	4-16-13	NEW DRAWING [CT106074]	GFR	X.XX X.X X	<b>KOHLER CO. METRIC PRO-E</b> <b>TITLE</b> <b>DIMENSION PRINT</b> SCALE 0.15 CAD NO. SHEET 3 of 3 <b>ADV-8774</b>
				ANGLES SURFACE FINISH MAX.	
				THIRD ANGLE PROJECTION	
				APPROVALS DATE	
				DRAWN GFR 4-16-13	
				CHECKED BJF 4-16-13	
				APPROVED BJF 4-16-13	